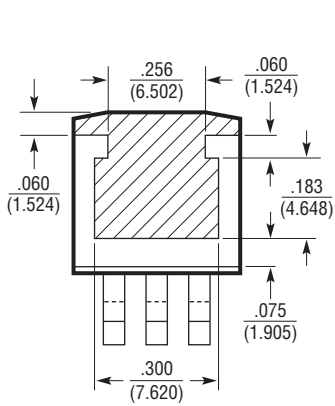
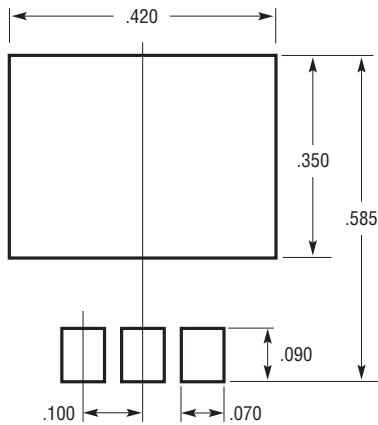
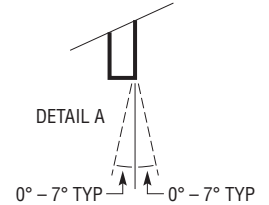
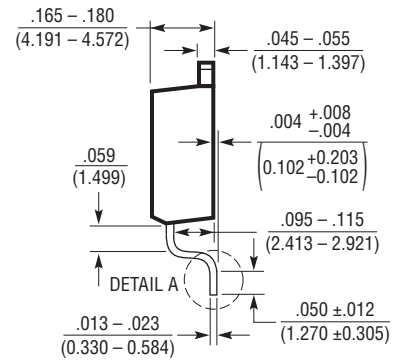
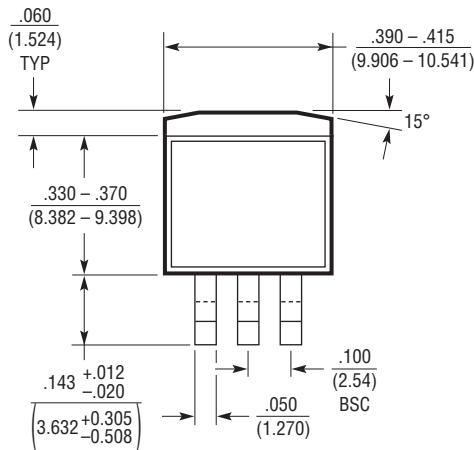


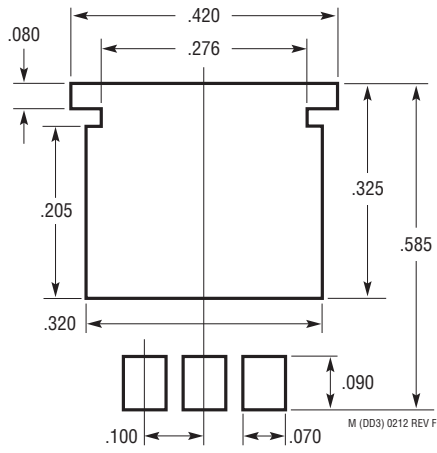
**M Package**  
**3-Lead Plastic DD Pak**  
 (Reference LTC DWG # 05-08-1460 Rev F)



BOTTOM VIEW OF DD PAK  
 HATCHED AREA IS SOLDER PLATED  
 COPPER HEAT SINK



RECOMMENDED SOLDER PAD LAYOUT



RECOMMENDED SOLDER PAD LAYOUT  
 FOR THICKER SOLDER PASTE APPLICATIONS

- NOTE:  
 1. DIMENSIONS IN INCH/(MILLIMETER)  
 2. DRAWING NOT TO SCALE

M (003) 0212 REV F